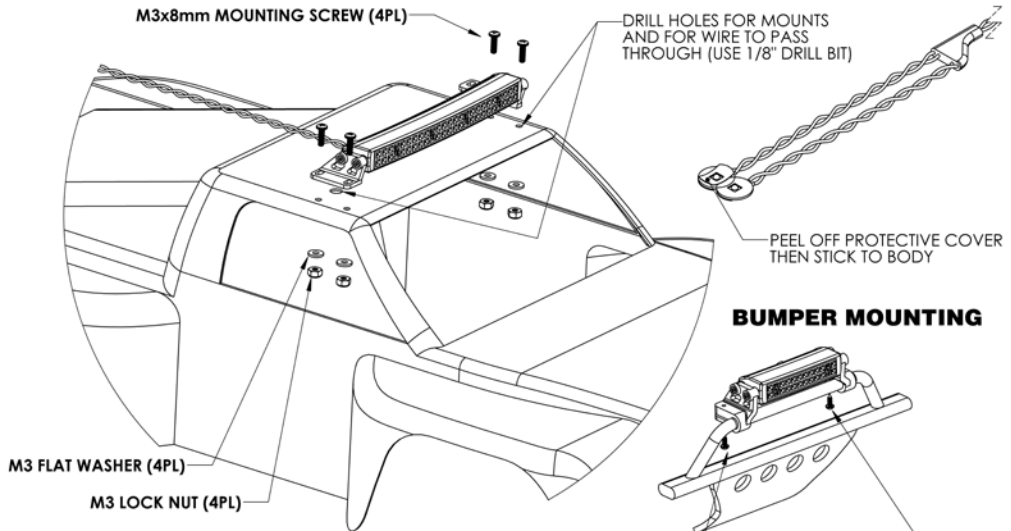


INSTALL LIGHT BARS ON VEHICLE



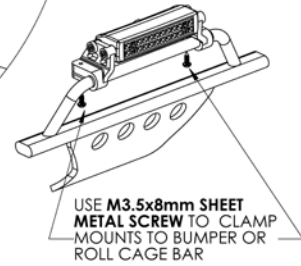
SINGLE LIGHT CANISTER



MyTrickRC Attack Lights Install Rev B

mytrickrc.com

BUMPER MOUNTING



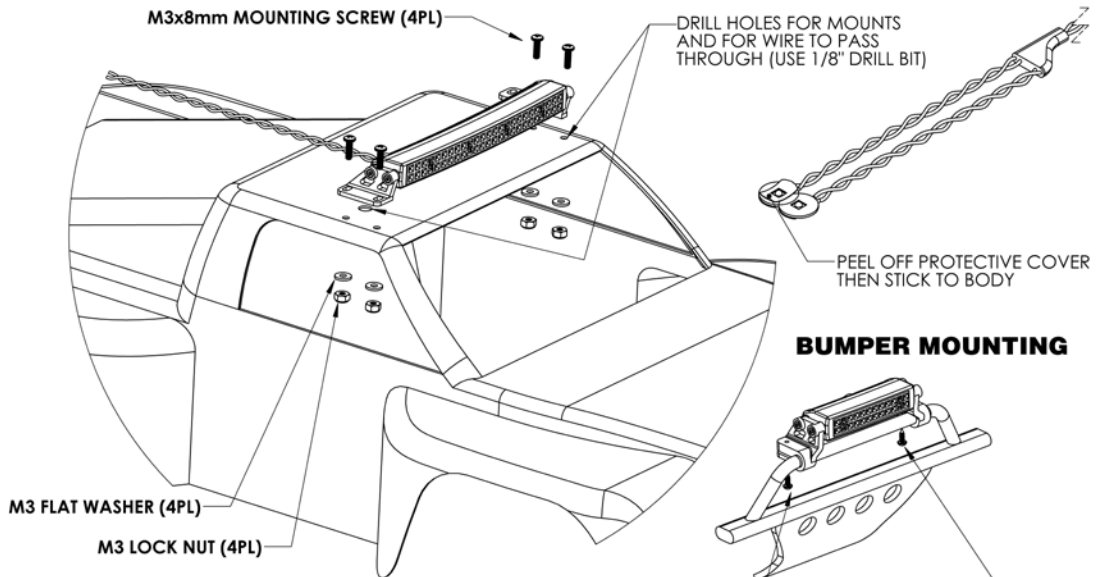
Attack LIGHT BARS

OPERATING VOLTAGE = 5V

CURRENT DRAW AT 5V = up to 1.3A

• DO NOT APPLY MORE THAN 5V OR DAMAGE WILL OCCUR

INSTALL LIGHT BARS ON VEHICLE



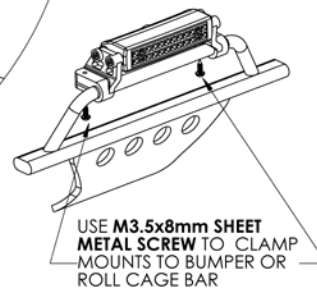
SINGLE LIGHT CANISTER



MyTrickRC Attack Lights Install Rev B

mytrickrc.com

BUMPER MOUNTING



Attack LIGHT BARS

OPERATING VOLTAGE = 5V

CURRENT DRAW AT 5V = up to 1.3A

• DO NOT APPLY MORE THAN 5V OR DAMAGE WILL OCCUR